



# DNH

HEAD OFFICE, NORWAY  
DNH AS

Phone..... + 47 35 98 56 00  
Fax..... + 47 35 98 56 10  
E-mail..... dnh@dnh.no  
Web-site..... www.dnh.no

ENGLAND

DNH WW Ltd

Phone..... + 44 1908 275 000  
Fax..... + 44 1908 275 100  
E-mail..... dnh@dnh.co.uk

GERMANY

DNH GmbH

Phone... + 49 040 6569 30-0  
Fax..... + 49 040 6569 30-30  
E-mail..... dnh@dnh.de

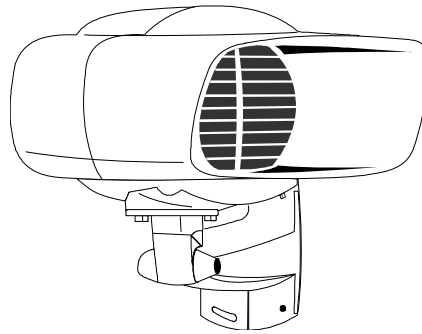
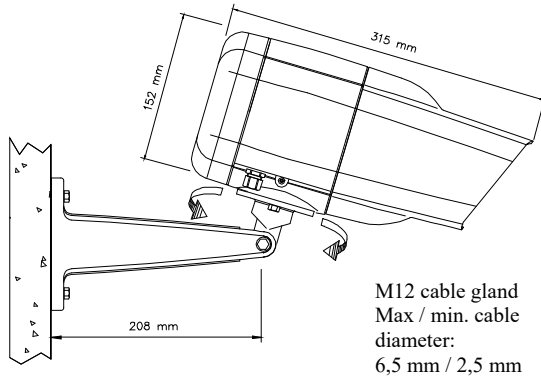
## DP-10-54(T)

USA

DNH Speakers Inc

Phone..... + 1 484 494 5790  
Fax..... + 1 484 494 5793  
E-mail..... dnh@dnhspeakers.com

ISO 9001 CERTIFIED



All outside nuts and screws in stainless steel.

Tested acc. To EN54-24

Type: B

Manufactured by DNH A/S  
Kragersø, Norway  
11 1438/CPD/0225

70/100 Volt combined transformer  
Primary connections

White : Green	70 V
White : Red	100 V

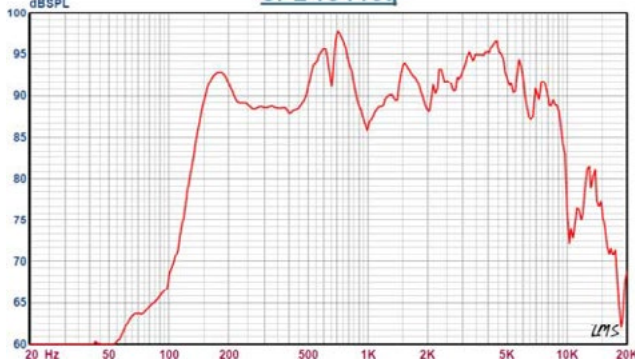
Secondary nominal tappings

1 : 4	6,0W	Imp 1660Ω
1 : 3	3,0W	Imp 3300Ω
2 : 4	2,0W	Imp 5000Ω
1 : 2	1,5W	Imp 6600Ω
3 : 4	0,9W	Imp 11100Ω
2 : 3	0,5 W	Imp 20000Ω

Loudspeaker for voice alarm systems for fire detection and fire alarm systems for buildings

Sound pressure levels at 1W/1m P-5/15 PS

SPL vs Freq



Horizontal / vertical coverage angles (±6dB)

	HCA	VCA
1 Oct. Pink noise 500Hz	210°	230°
1 Oct. Pink noise 1KHz	150°	155°
1 Oct. Pink noise 2KHz	65°	95°
1 Oct. Pink noise 4KHz	55°	55°

Specifications

Material / Color	Ronfalin 5VA /RAL 7035
Mounting	P.A-6 Swivel Bracket
Termination	Screw terminal
Weight w/transformer	2,4 kg
IP-rating	55
Max. / min. amb. temp	90°C / -40°C
Rated / max. power	6W / 6W
SPL 1W/1m	92 dB
Freq. range	140Hz – 16000Hz

Maximum SPL at 6W/4M are the SPL values at 1W/4M increased with 7dB for every 1/3 octave pink noise level.

Sensitivity 100Hz-10KHz 1/3 Oct. Pink noise 1W/4 Meters

100Hz: 38dB	125Hz: 40dB	160Hz: 47dB
200Hz: 50dB	250Hz: 55dB	315Hz: 60dB
400Hz: 64dB	500Hz: 64dB	630Hz: 63dB
800Hz: 63dB	1KHz: 60dB	1250Hz: 62dB
1600Hz: 67dB	2KHz: 67dB	2500Hz: 66dB
3150Hz: 67dB	4KHz: 67dB	5KHz: 64dB
6300Hz: 62 dB	8KHz: 59dB	10KHz: 57dB

DP-10-54(T) has been tested in 100 hours max power (6W). The model does not deviate more than ± 3 dB from the original test value. The freq. response curve and impedance complies with the original one. All SPL tests are performed in an anechoic chamber (<70m<sup>3</sup>).

### Installation, Operation and Maintenance Procedures

- Plastic enclosure acc. to min, class 5VB
- Unscrew lid by two screws, lead cable trough cable gland and connect to terminal. Choose tap value on transformer. Fasten lid with app. 1 Nm.
- Screw Swivel bracket onto wanted position with steel plate
- For optimum performance, always use the correct voltage / power and operate within the frequency limits as stated.
- Do not open loudspeaker when energized.
- This loudspeaker is supplied with a two years warranty against defective materials and workmanship.



1438

DNH reserves the right to alter specifications without notice